



Read all Instructions before beginning!!!!

Caution – EXTREME DANGER – Caution

Do not use or mix any other manufacturer’s products with any Nitrous Express products.

Do not use or mix any Nitrous Express products with any other manufacturer’s products.

THESE INSTRUCTIONS APPLY TO NITROUS EXPRESS PRODUCTS ONLY!

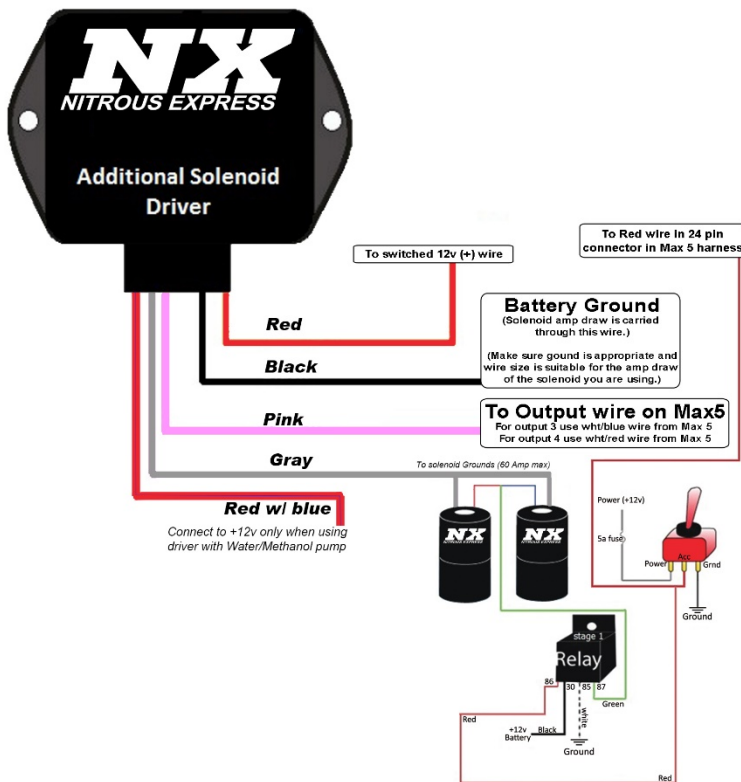
FOR SANCTIONED RACE USE ONLY - NOT FOR SALE OR USE IN CALIFORNIA

Additional Driver for Maximizer5 – Part# 16008D

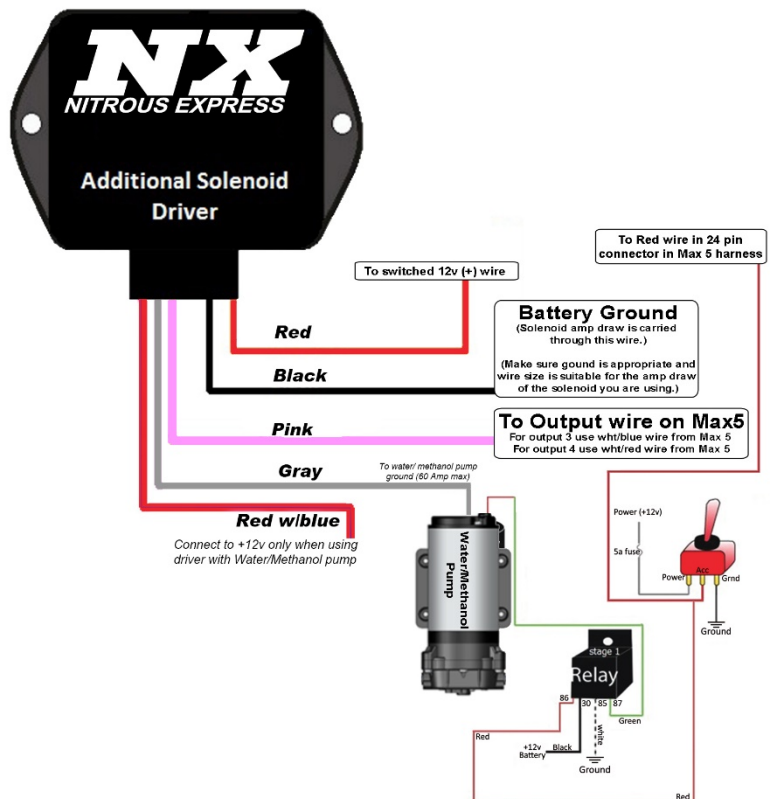
This external driver is a low side switch controlled by a digital output from the controller. It can be used as an on/off switch or pulse width modulated to drive solenoids. The maximum allowable current for the external driver is 60 amps (10 sec maximum) or 20 amps continuous.

There is no internal protection for the driver. Do not exceed current limits!

Wiring Diagram for N2O/Fuel solenoid control



Wiring Diagram for Water/Methanol pump



WARNING: Cancer and Reproductive Harm-
www.P65Warnings.ca.gov