

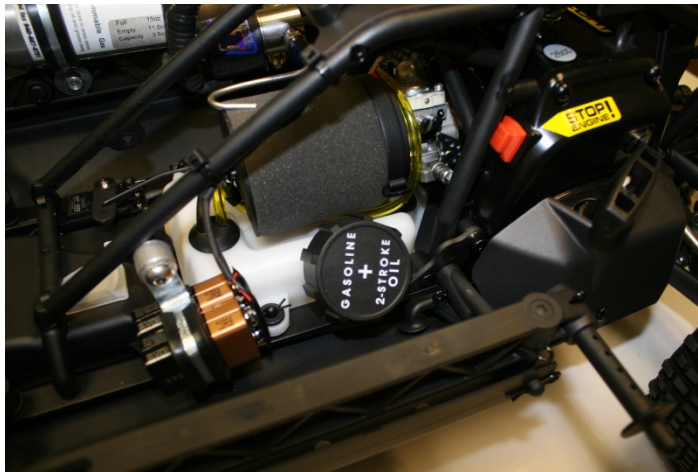
Nitrous Express Speed3000 R/C Vehicle Nitrous System

Installation Instructions

The nitrous bottle is shipped empty and must be filled before the system can be used. The bottle capacity is 4oz

Removal of the body and partial disassembly of your r/c vehicle may be necessary to access all electronics and to complete the nitrous installation.

1. Find the best and most secure location for the 9v battery to be mounted. This location needs to be easily accessible, yet protected from possible damage while you are operating the vehicle.



2. Turn on your transmitter and your receiver and then go to full throttle. Place the micro switch so that the servo arm activates the micro switch. Mark this location, then drill and mount the micro switch.



3. Now you will need to choose a location for a master arming switch. This can be anywhere that is easily accessible and so that it does not interfere with any mechanical linkages



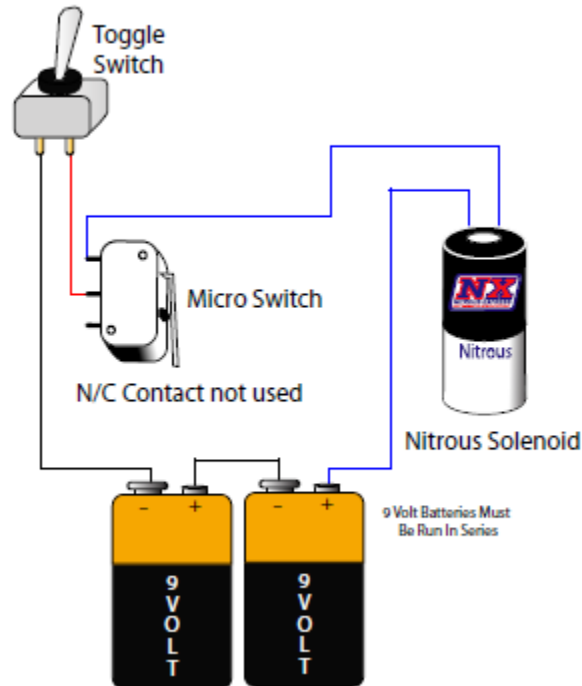
4. Install the .009 jet into the push-to-connect jet fitting and thread into solenoid outlet port. Tighten snugly, but do not over tighten. Install the 3an Swivel fitting into the inlet port of the solenoid. This will allow for mounting the nitrous solenoid directly to the bottle valve.
5. Mount the nitrous bottle using the supplied hardware. Be sure the bottle does not interfere with any mechanical linkages.



6. Install the 1/8 poly line into the push-to-connect fitting previously installed in the nitrous solenoid outlet port and route the line into the air filter. The hose should discharge toward the air filter but should not be inserted directly into it. Secure the line with zip ties.

7. Follow the wiring diagram below, solder and wrap all connections with heat shrink to complete the install. The nitrous solenoid in this system is DC, so any wire can be chosen as power or ground wire.

Wiring Diagram



8. Once all connections are secured, test the system by arming the master arming switch and activating the throttle servo until wide-open throttle is achieved, the nitrous solenoid should click as the throttle linkage causes the micro switch to be engaged.
9. Once all steps are completed be sure all fittings, nuts and bolts are tight. Re-install any covers or clips that were removed during the installation process.
10. After we have assured the system is functioning properly it is time to open the previously filled bottle and have some fun!